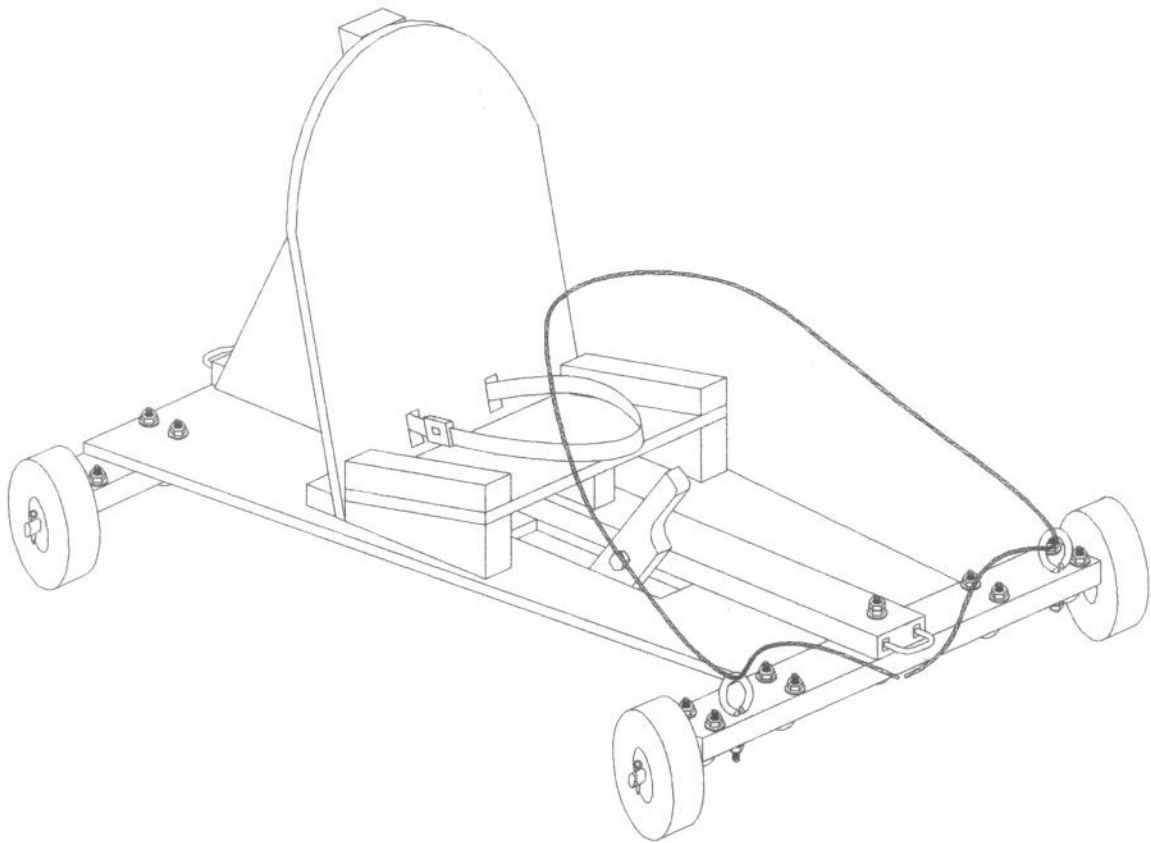


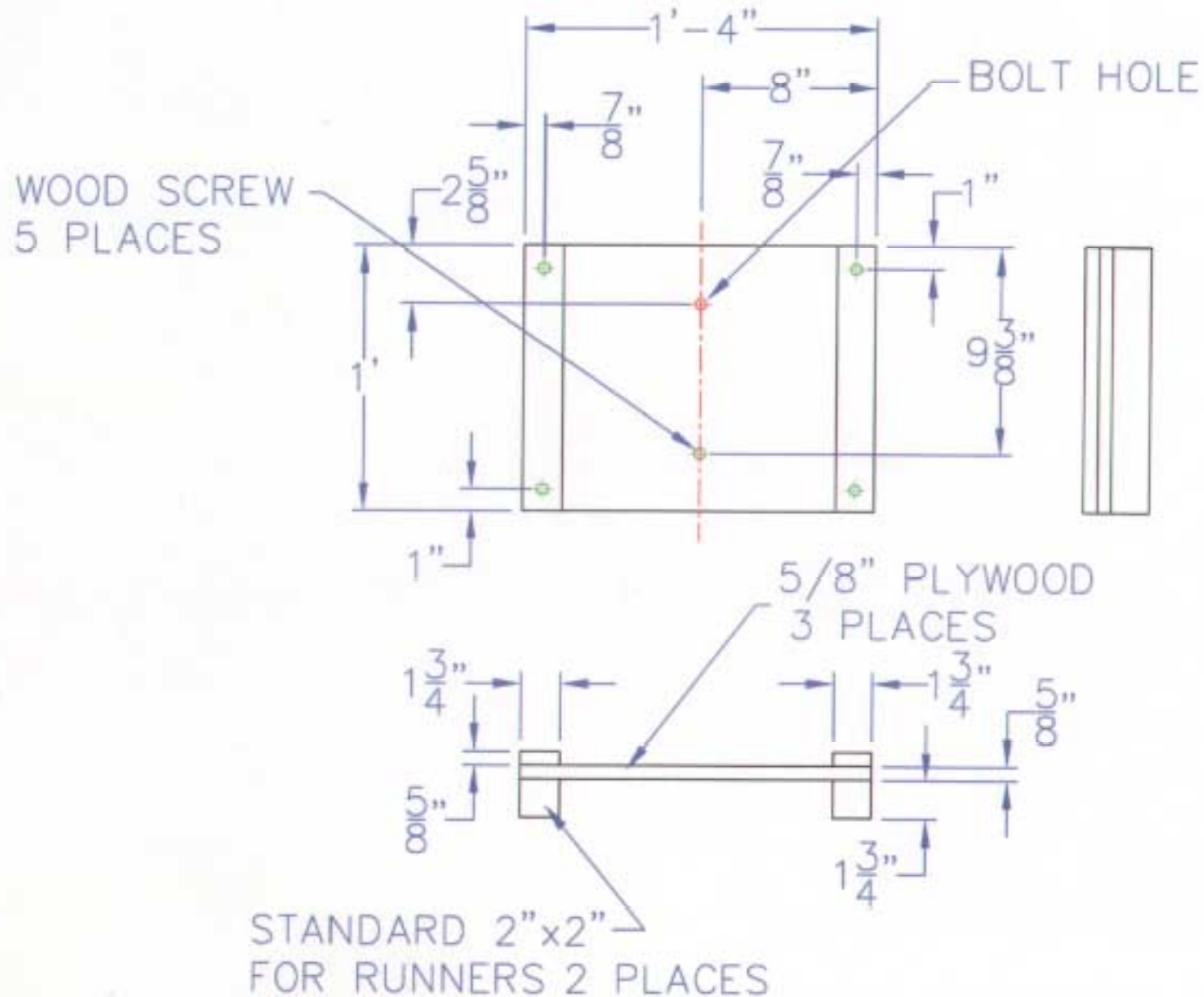
CUBMOBILE PLANS



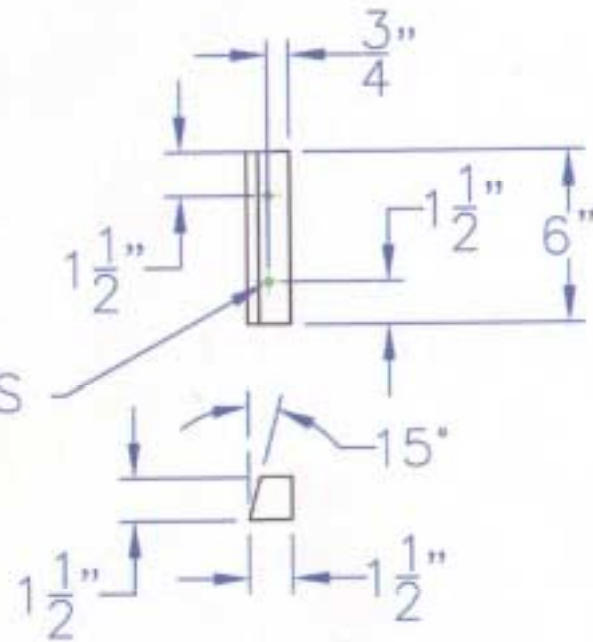
REVISED
JANUARY 2004

SEAT & SLIDE STOP ASSEMBLY

⑦ (OPTION #1)



WOOD SCREWS
2 PLACES



BACK REST BLOCKS

(1-1/2" x 1-1/2" x 6")

2 REQUIRED

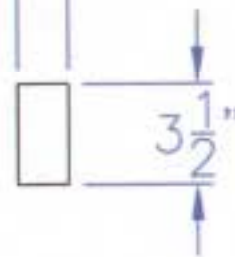
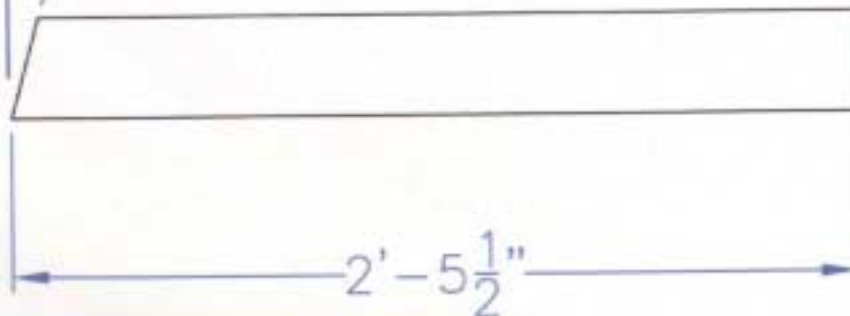
11

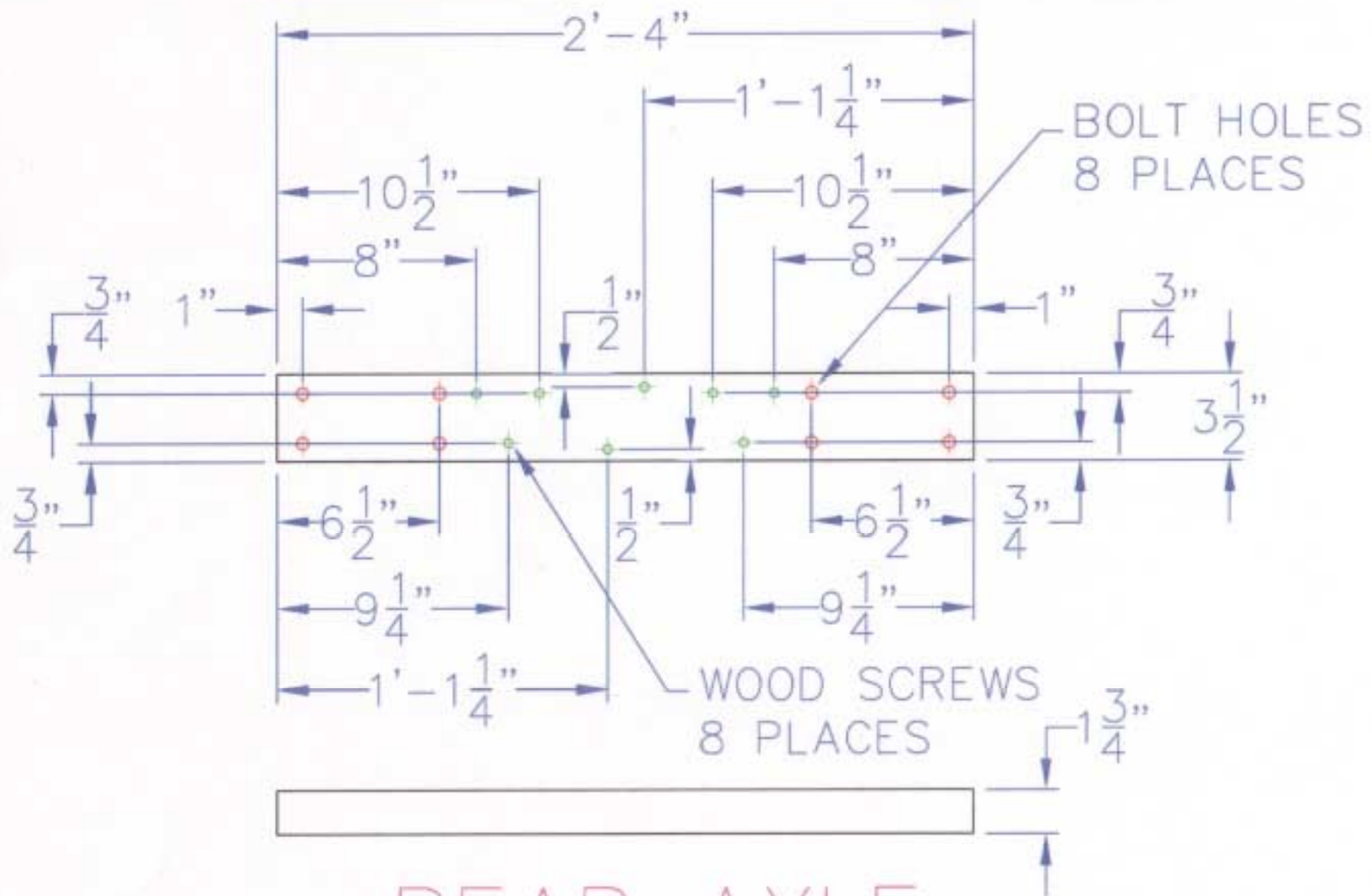
15°

SEAT POST 10

(STANDARD 2" X 4")

1 3/4"

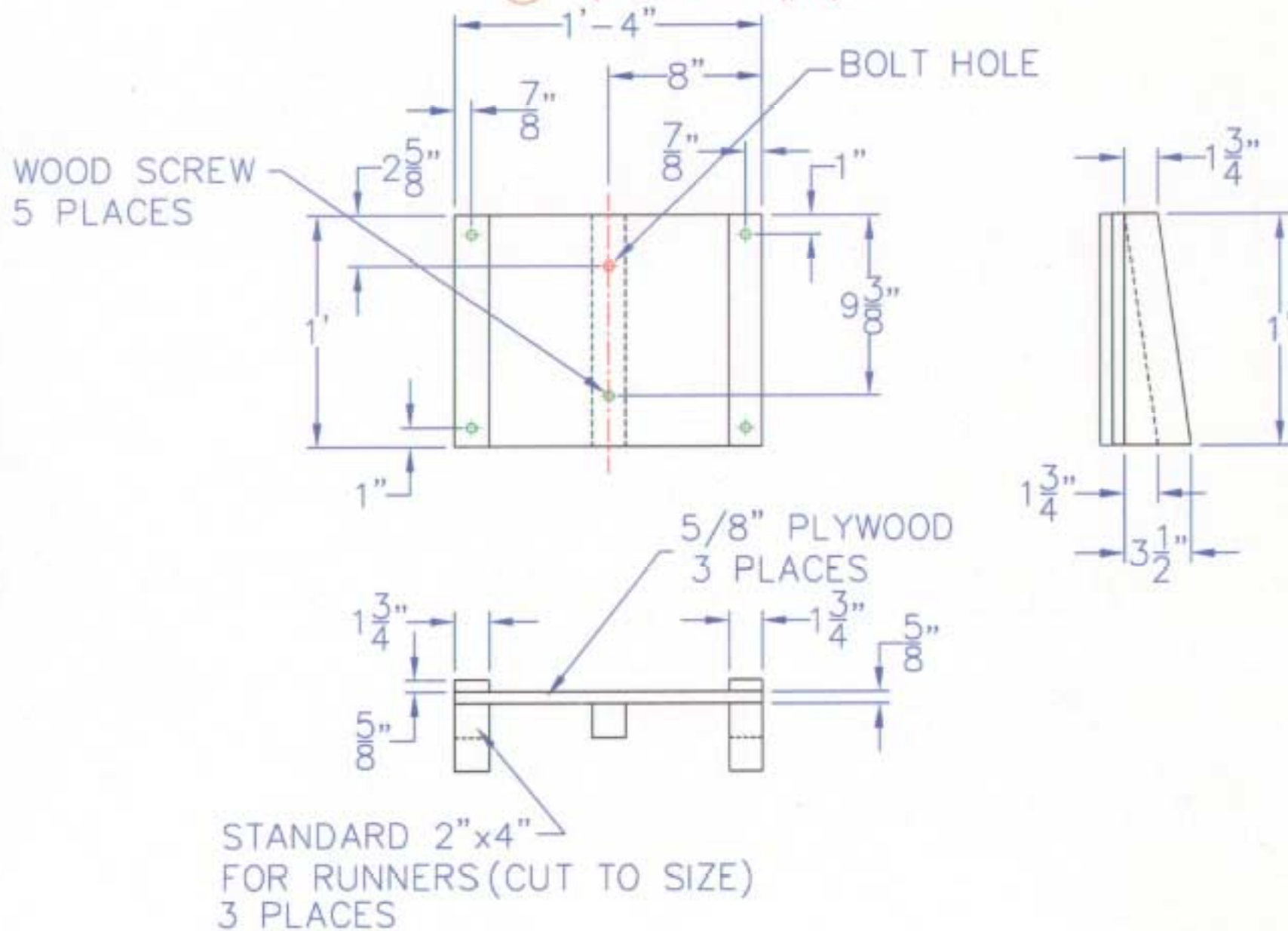


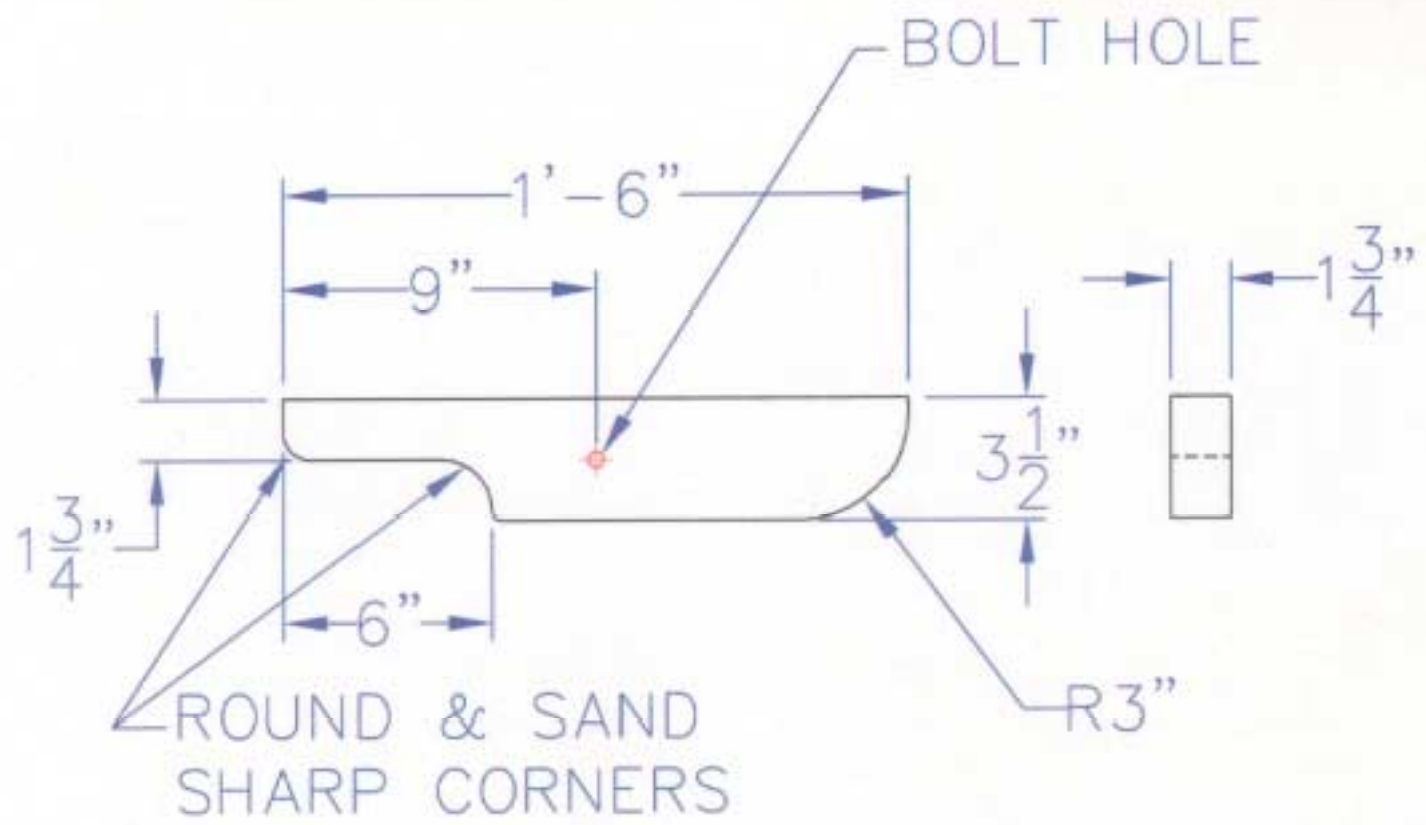


REAR AXLE
 ⑨ (STANDARD 2" X 4")

SEAT & SLIDE STOP ASSEMBLY

⑥ (OPTION #2)

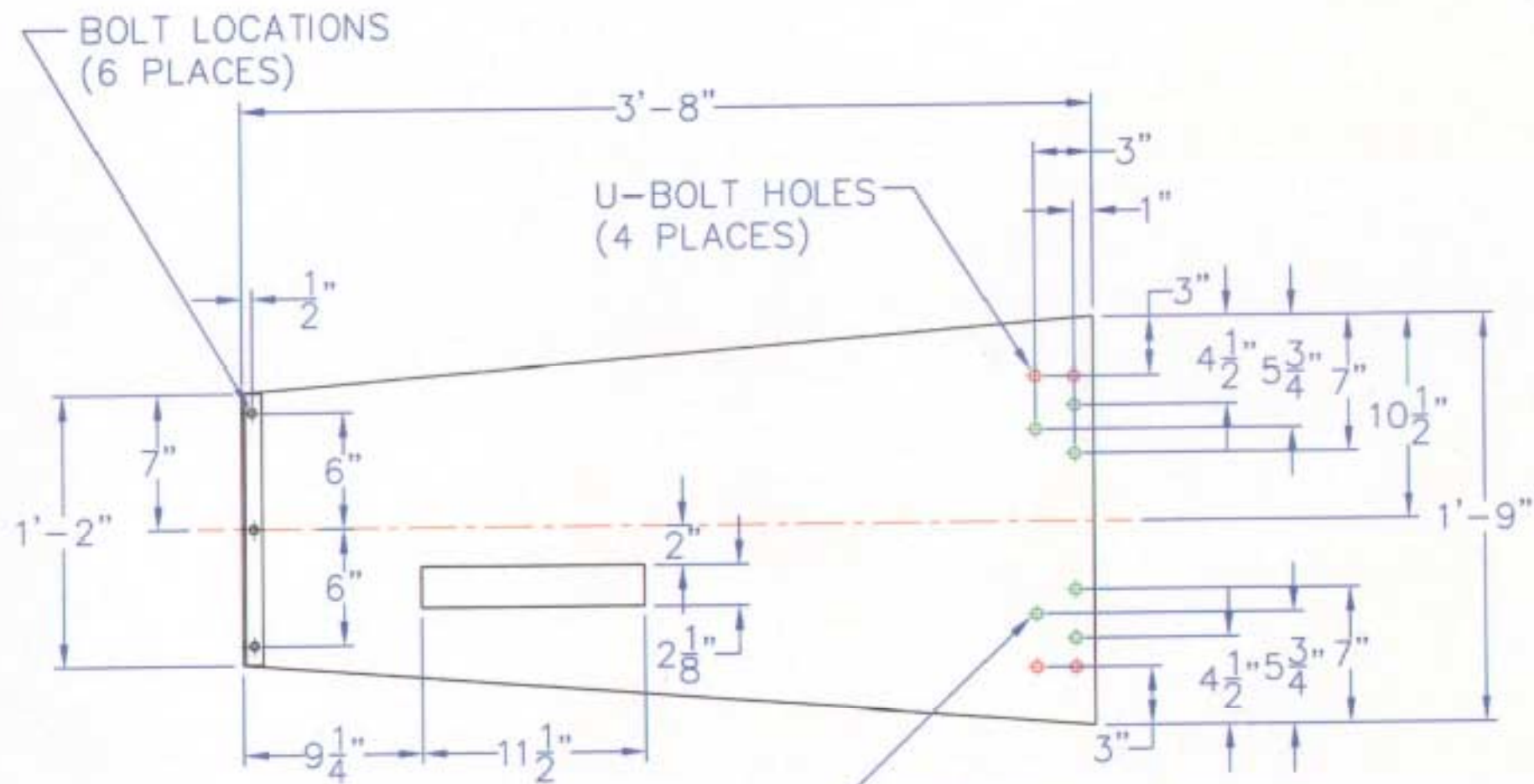




HAND BRAKE

⑤ (STANDARD 2"X4")

NOTE: BOTTOM OF BRAKE (R3") TO BE COVERED BY A PIECE OF BIKE TIRE



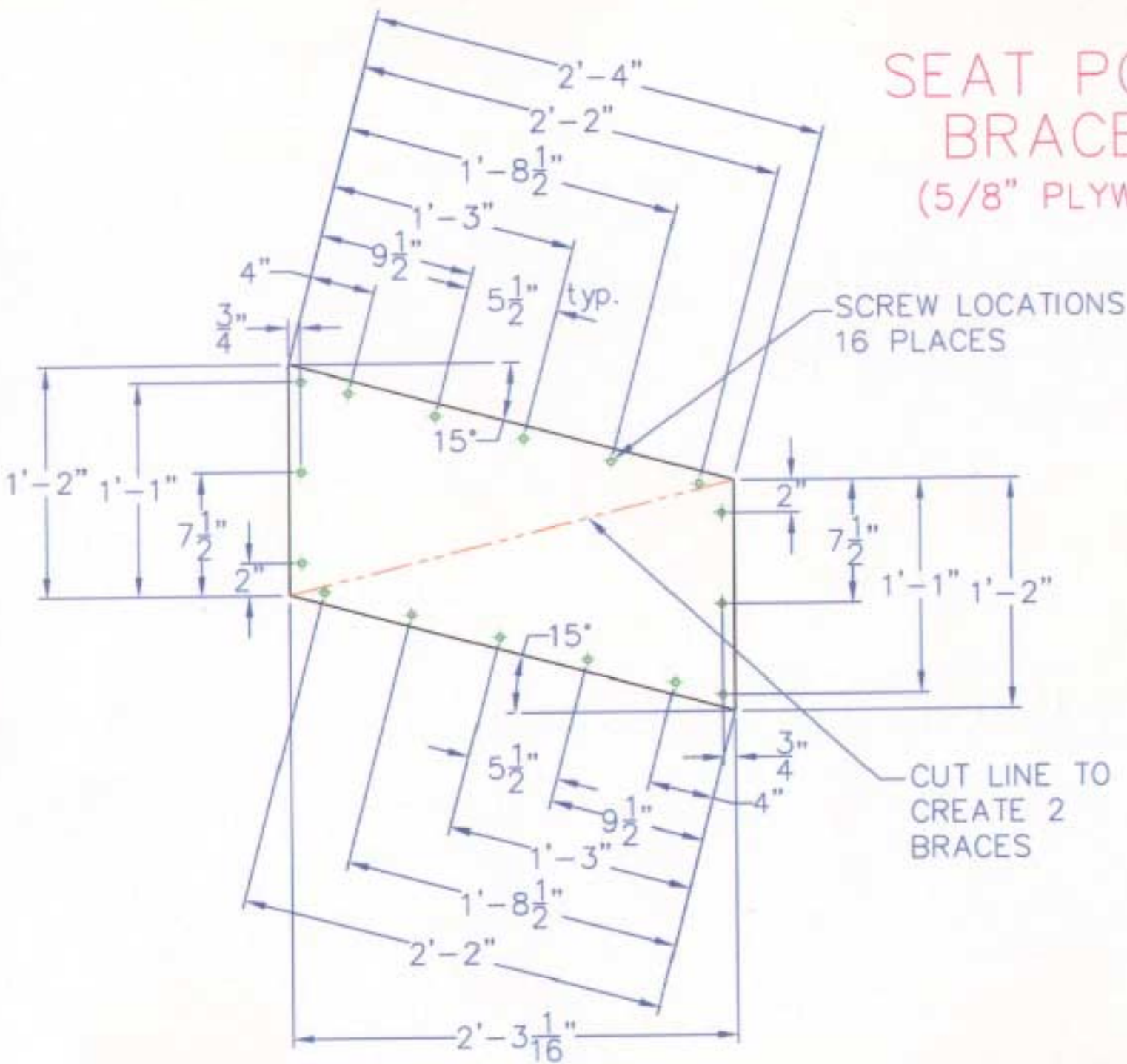
WOOD SCREW LOCATIONS
(6 PLACES)

AXLE BRACE
 (5/8" PLYWOOD) ①
 (1"x1"x1/8" ANGLE IRON)

1"x1"x1/8" ANGLE IRON

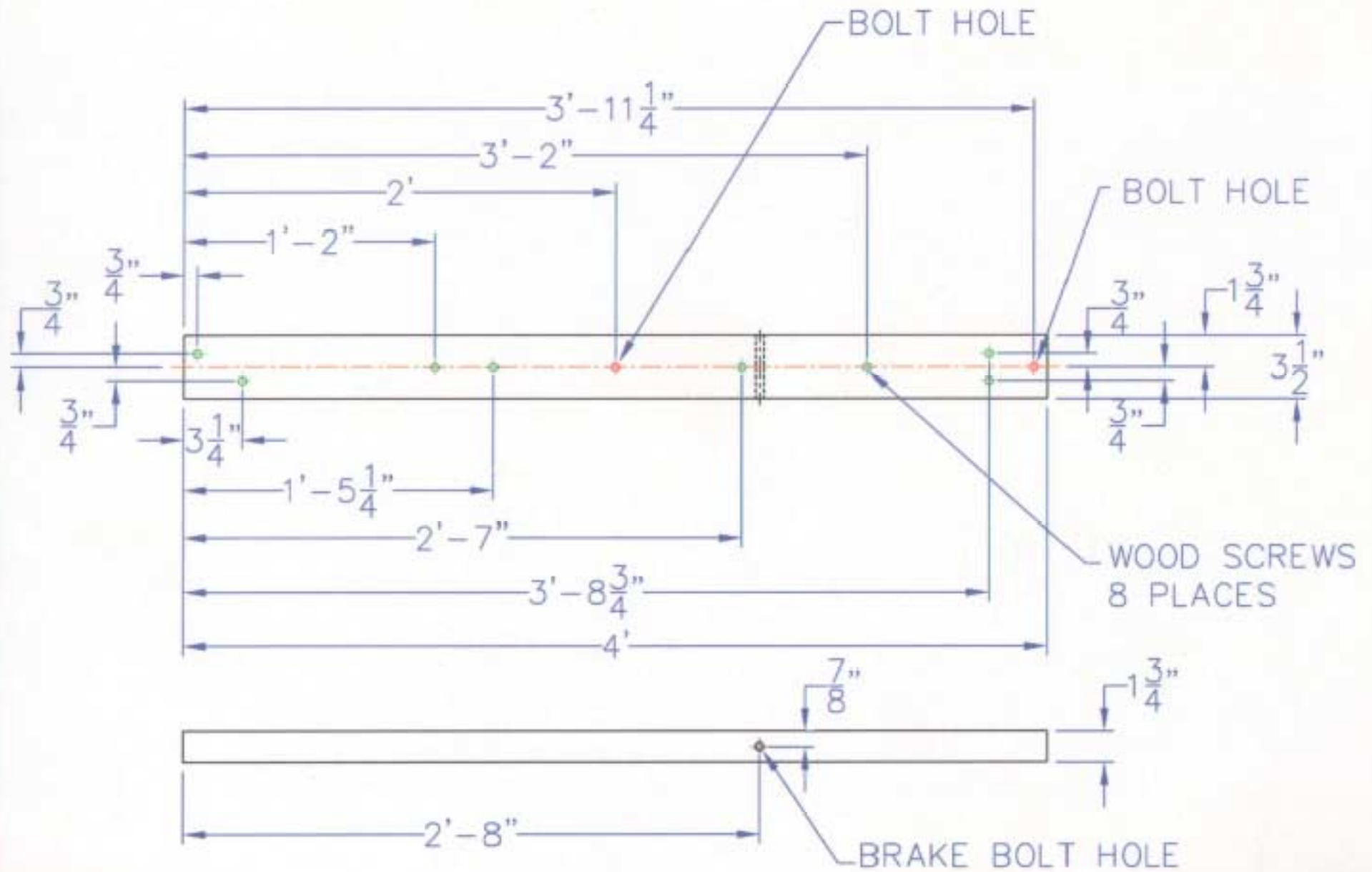
SEAT POST BRACE

(5/8" PLYWOOD) ②



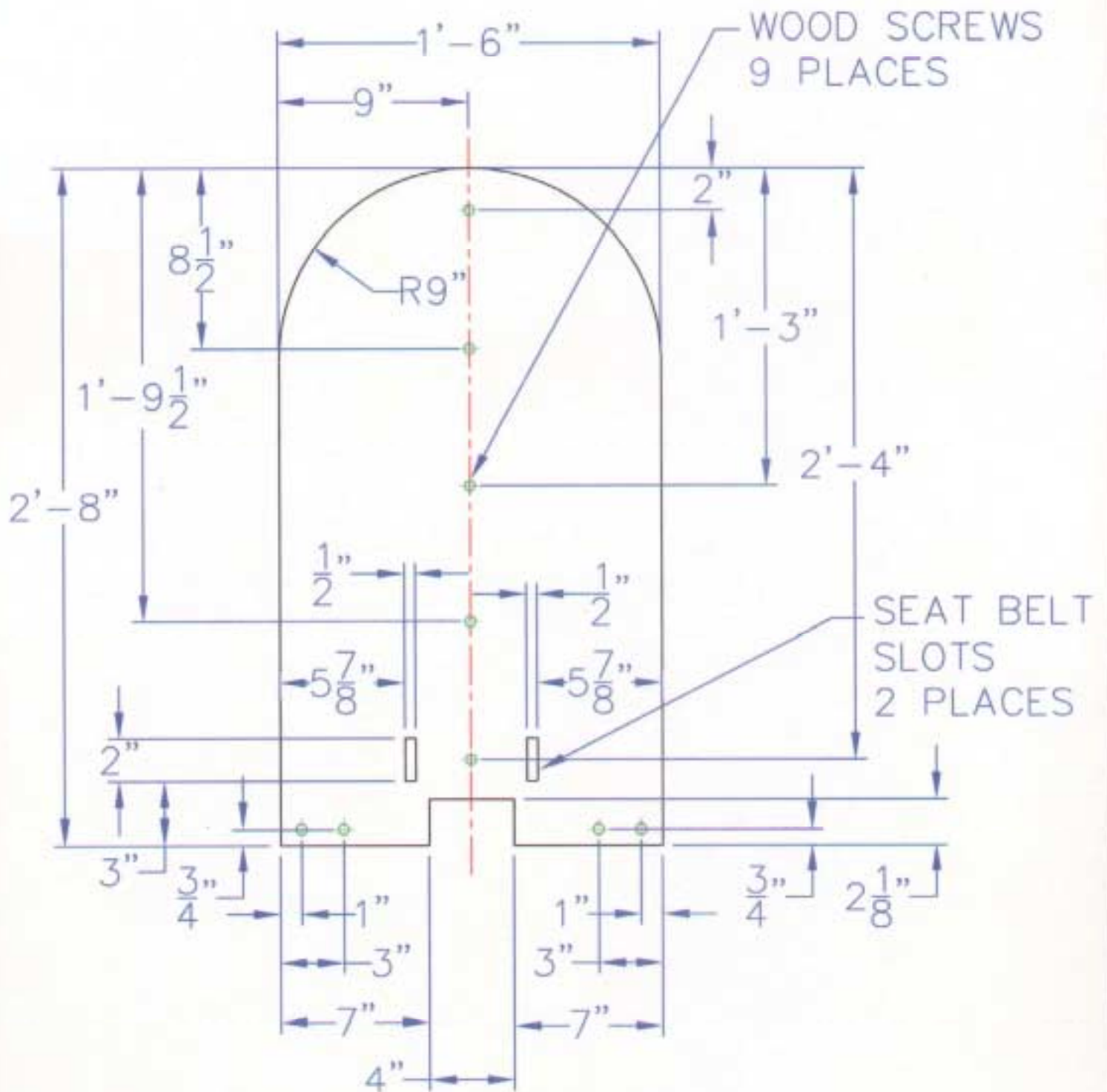
MAIN FRAME BEAM

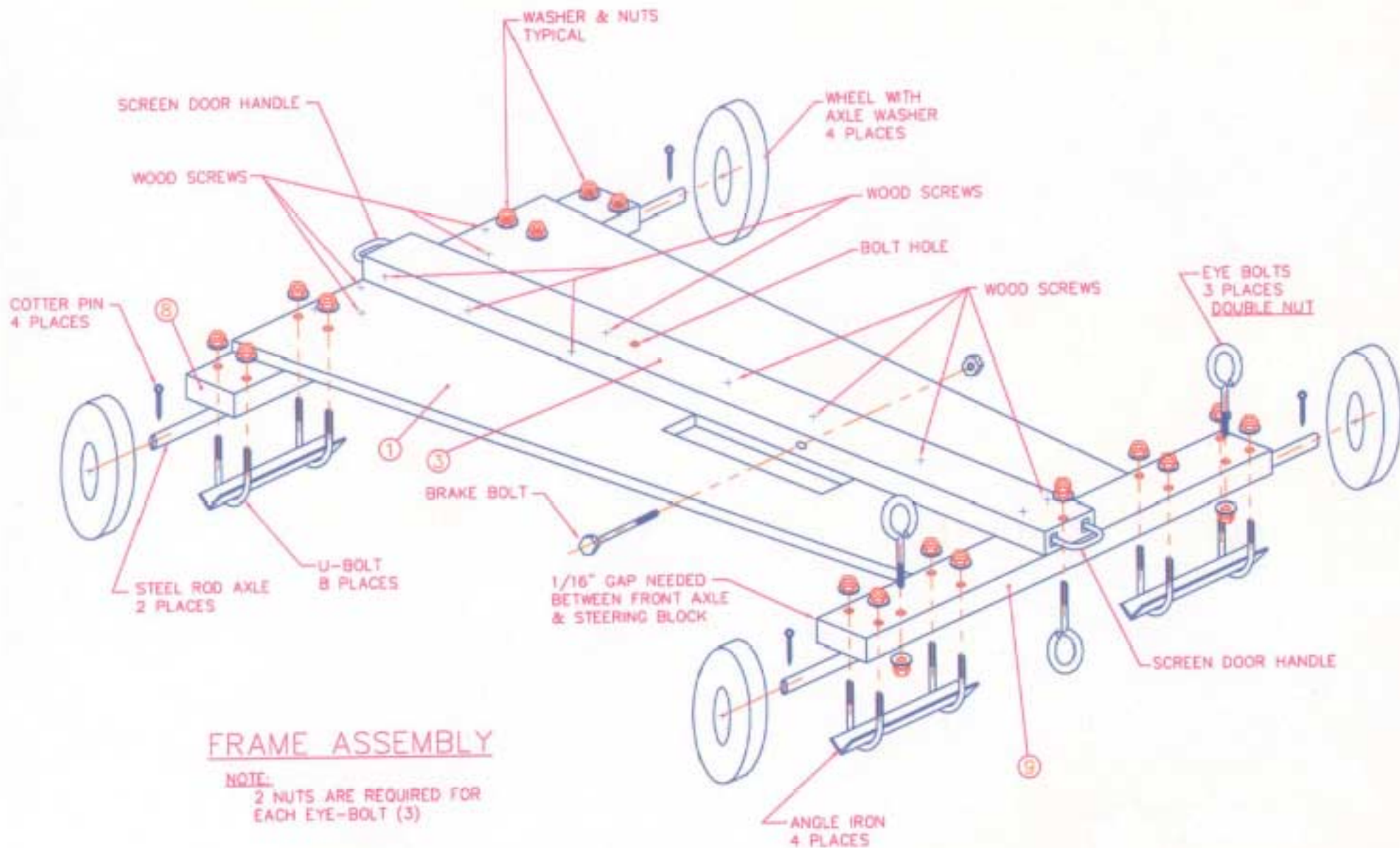
③ (STANDARD 2"X4")



BACK REST

④ (5/8" PLYWOOD)





FRAME ASSEMBLY

NOTE:
 2 NUTS ARE REQUIRED FOR
 EACH EYE-BOLT (3)

