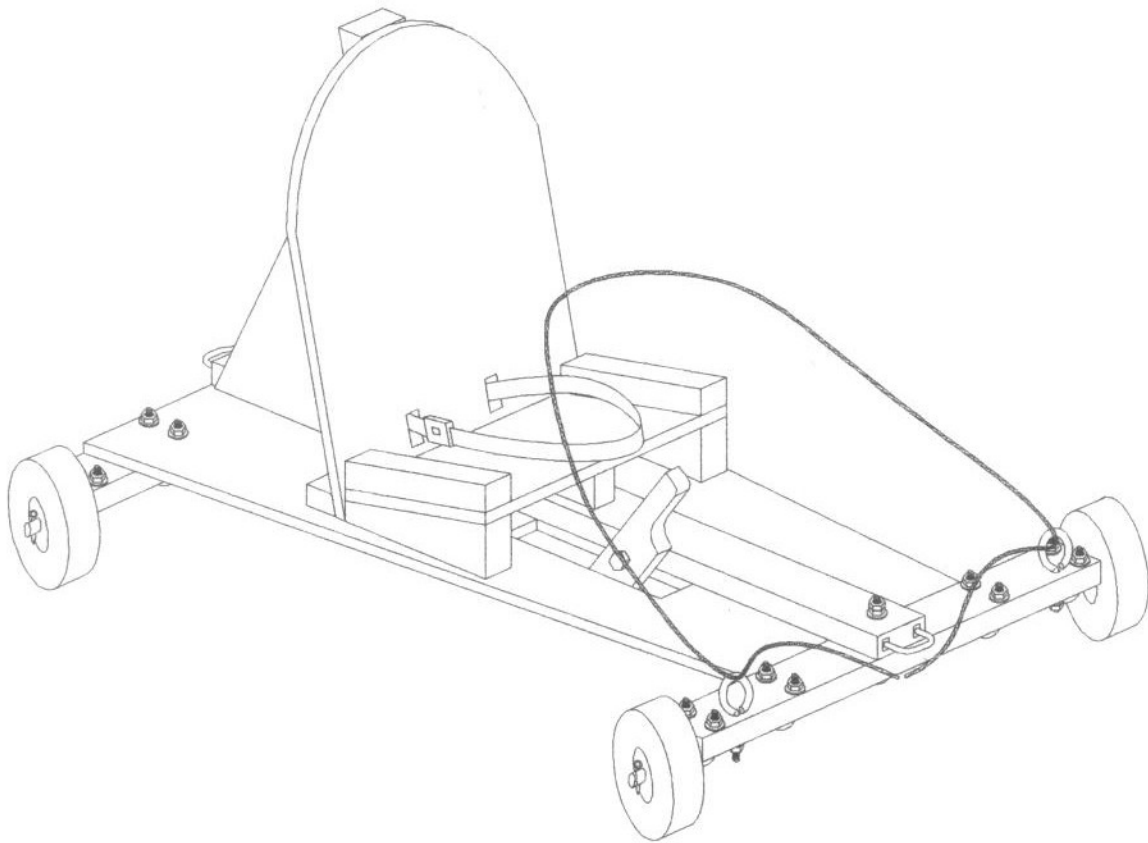


# CUBMOBILE PLANS



REVISED  
JANUARY 2004